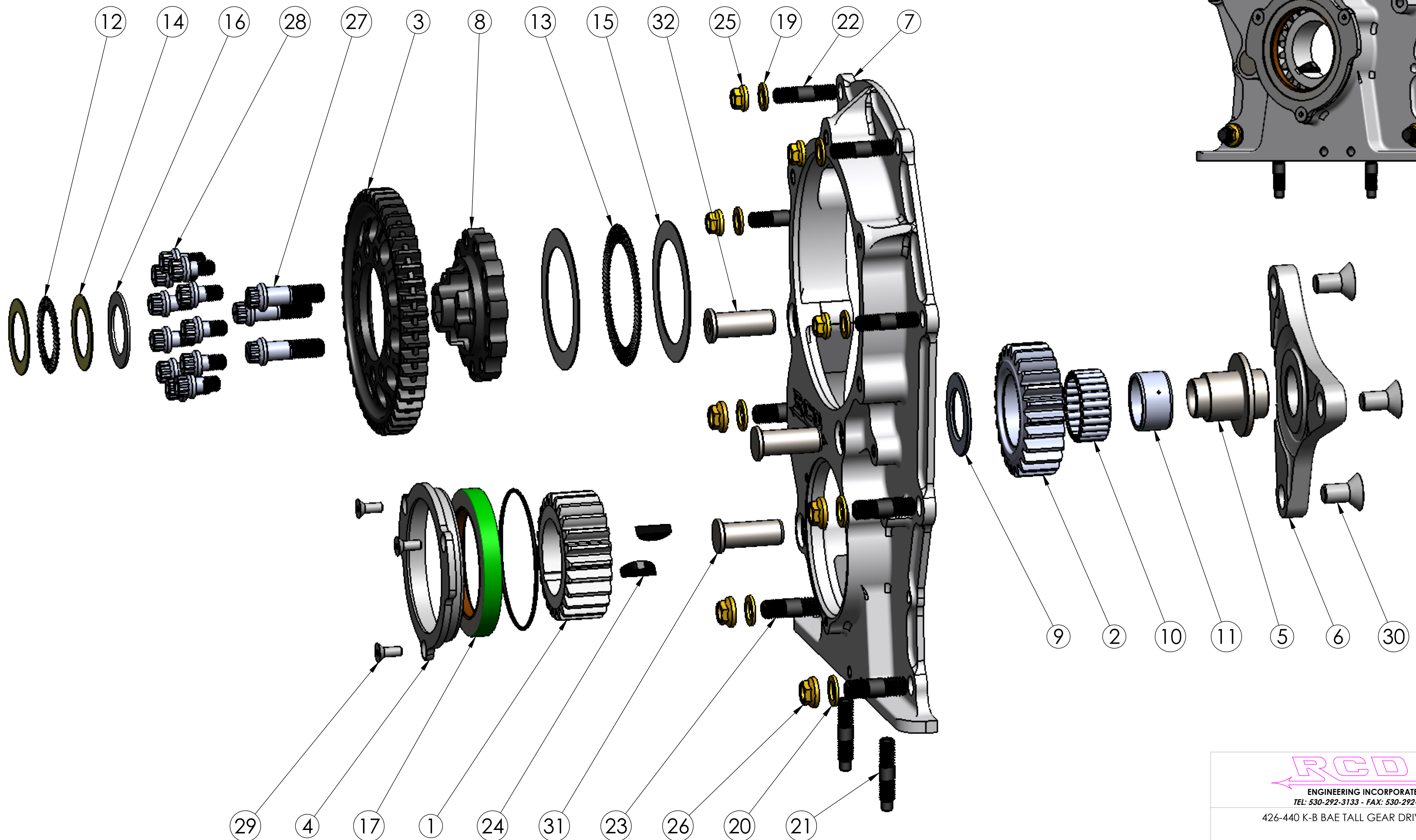
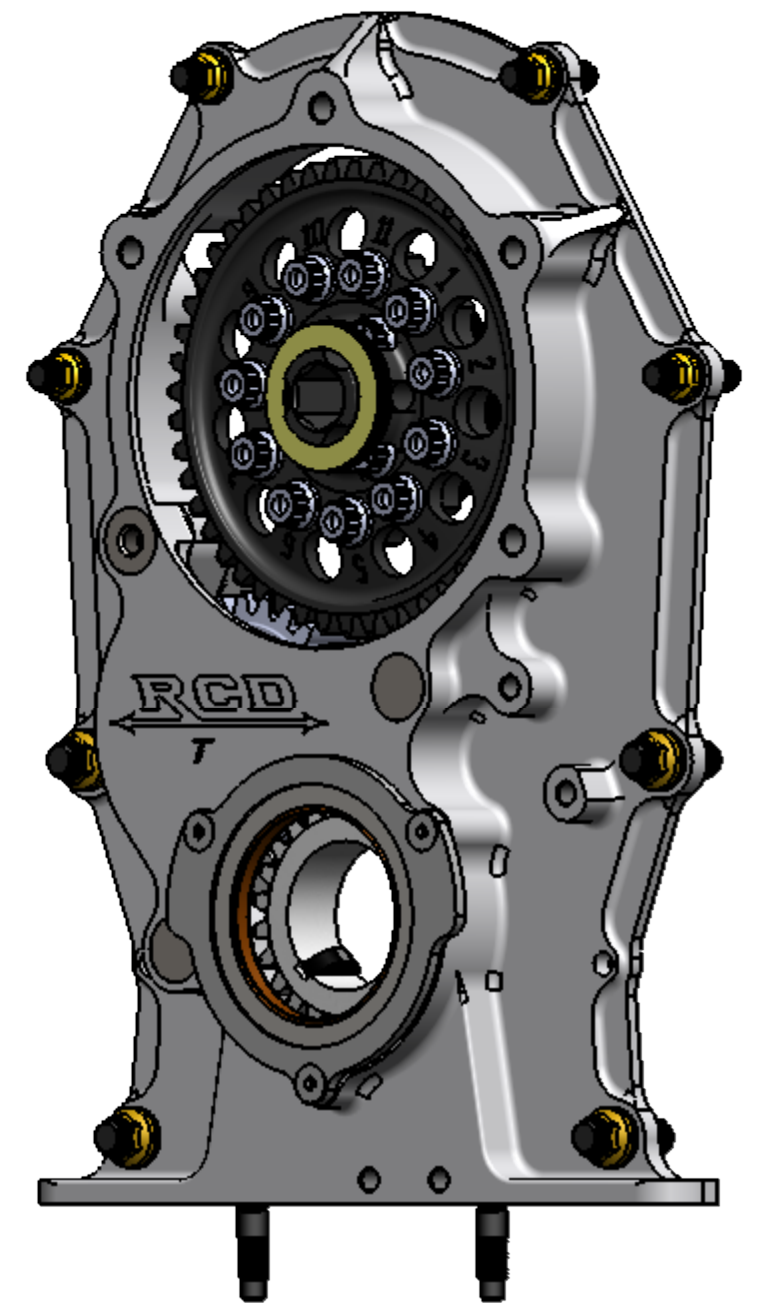


ITEM	PART NO.	DESCRIPTION	QTY.
1	250521-20	CRANK GEAR WIDE 426 392 440 CHRYSLER	1
2	250521-31	IDLER GEAR STANDARD WIDE 25 TOOTH 10 DP	1
3	250521-60	CAM GEAR 48 TOOTH 10 DP 11 HOLE VERNIER	1
4	250540-01	SEAL HOUSING FOR STD FRONT COVER BBC	1
5	253506-05	IDLER GEAR AXLE 426 440 CHRYSLER	1
6	253511-05	IDLER GEAR BRACKET 426 CHRYSLER TALL CAM	1
7	253516-02	GEAR DRIVE COVER TALL CAM BAE KB 426 CHRYSLER	1
8	253526-02	CAM HUB 11 HOLE 426 440 CHRYSLER AND TFX	1
9	350501-02	BRG SIDE PLATE 0.99 ID 1.69 OD	1
10	350540-40	30 X 37 X 16 ROLLER BRG CAGE	1
11	350541-40	ROLLER BRG INNER RACE	1
12	350590-36	1.00 X 1.562 X 0.078 NEEDLE THRUST BRG	1
13	350590-60	2.125 X 2.875 X 0.078 NEEDLE THRUST BRG	1
14	350592-36	TRA-1625 THRUST WASHER	2
15	350592-60	TRA-3446 thrust washer	2
16	350597-0002	1.00 X 1.562 THRUST SHIM KIT	1

ITEM	PART NO.	DESCRIPTION	QTY.
17	351515-56	2.188 X 3.00 X 0.375 SEAL VITON 2 LIP	1
18	351550-39	039 "O" RING 0.07 X 2.75	1
19	352503-05	5/16 AN WASHER	4
20	352503-06	3/8 AN WASHER	4
21	353014-18	0.312 X 1.125 OILPAN STUD	2
22	353014-20	0.312 X 1.25 STUD	4
23	353016-20	0.375 X 1.25 STUD	4
24	354510-12	WOODRUFF KEY CRANK GEAR-CUT DOWN	2
25	355431-10	5/16-24 NUT HEX FLANGED LOCK	4
26	355437-10	3/8-24 NUT HEX FLANGED LOCK	4
27	357337-19	3/8-24 X 1.22 12PT CAM BOLT	3
28	357931-08	0.312-24 x 0.55 12pt CAM GEAR BOLT	11
29	356810-08	FHCS 10-32 x .50	3
30	356837-12	FHCS 3/8-24 X .75	3
31	253537-01	FLANGED INSERT FOR CHRYSLER IDLER GEAR BRACKET	2
32	253537-02	FLANGED INSERT FOR CHRYSLER IDLER GEAR BRACKET WITH .312-18	1




ENGINEERING INCORPORATED
 TEL: 530-292-3133 - FAX: 530-292-3738
 426-440 K-B BAE TALL GEAR DRIVE NITRO